



## IONISATION SMOKE DETECTOR : SIJ

### Features

1. Enhanced performance
  - The SIJ exceptional capabilities results from incorporating a single radioactive source and dual chambers for stable operation even under extreme environmental conditions (including atmospheric changes)
2. Modern low profile design
3. Twin LED indicator lamp
4. Low current consumption
5. Improved noise immunity
6. Custom designed steel mesh

### Application

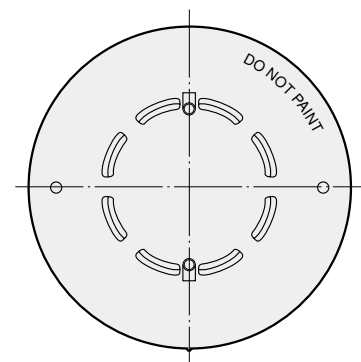
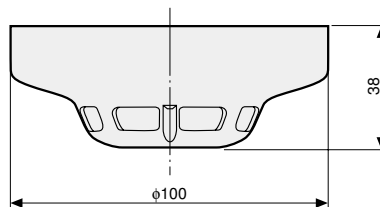
The SIJ Ionisation smoke detector has a responsive and highly stable operation that gives it an extremely wide range of uses. The SIJ can be used in areas where early warning of trouble from super-heating or flaming combustibles is expected.

### Specifications

	SIJ-24
Applicable Standard	UL268
Rated Voltage	DC 24V
Working Voltage Range	DC 15V ~ 30V
Current Consumption	25 $\mu$ A at 24V
Maximum Switching Current	80mA
Radioactive Source	Am <sup>241</sup> 18.5kBq
Operating Ambient Temperature Range	-10°C ~ +50°C (14°F ~ 122°F)
Storage Temperature Range	-20°C ~ +60 C (-4°F ~ 140°F)
Allowable Ambient Humidity (at 40°C)	95% RH Non-Condensing
Dimension (incl. Base)	$\phi$ 100mm X 38mm ( $\phi$ 100mm X 46mm)
Weight (incl. Base)	85g (130g)
Color	Ivory
Made	USA

### Compatible Bases

NS6-220, NS4-220



#### HOCHIKI CORPORATION

##### SINGAPORE BRANCH OFFICE

629 Aljunied Road #03-16 Cititech Industrial Building  
Singapore 389838  
Tel : 65-6841-9728 Fax : 65-6841-9781  
Email : hochiki@singnet.com.sg

##### HEAD OFFICE

10-43 Kamiosaki 2-Chome. Shinagawa-Ku,  
Tokyo 141-8660, Japan  
Tel : 81-(3)-3444-4116 Fax : 81-(3)-3444-4167  
URL : www.hochiki.co.jp